



Vegetable Washer Vegetable Washer with Tank 10/40kg

ITEM # _____

MODEL # _____

NAME # _____

SIS # _____

AIA # _____



660033 (LV300)

Vegetable washer with fixed well capacity 300 lt, charge for cycle: 10/40 Kg

Short Form Specification

Item No. _____

Made from 304 AISI stainless steel. Work area in non-toxic material.

Double inclined well bottom to allow automatic cleaning. Perforated stainless steel base filter easily removable; overflow and filter in 304 AISI stainless steel. Height-adjustable feet.

Washing system by water vortex; automatic water filling. Well capacity: 300 lt. Load per cycle: 10 kg (light vegetables); 40 kg (heavy vegetables). Cycle duration: 2-3 min.

Main Features

- Work area in non-toxic material compatible with the use of food.
- Double inclined well bottom to allow automatic cleaning of the unit.
- Washing well shaped to achieve an efficient water vortex.
- "Soft-action" manual ball valve regulates the wash water loading and pressure.
- Water inlet to unit via a solenoid valve.
- Simple control panel with a well drainage switch and knob to regulate recirculating water intensity.
- Cycle duration of 2 to 3 minutes.
- Mounted on adjustable stainless steel legs.
- IP25 protection against water jets, solid objects and small animals (larger than 6 mm).

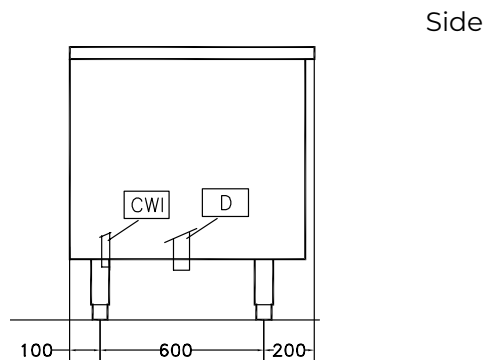
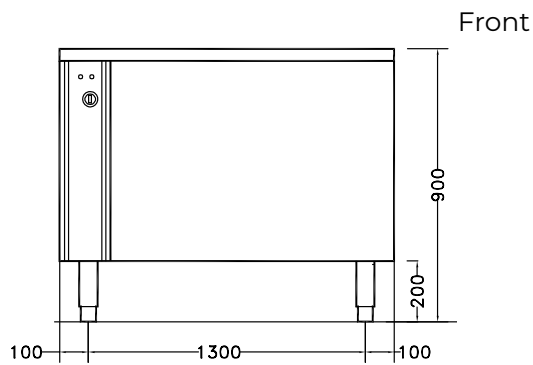
Construction

- 304 AISI stainless steel construction throughout.
- Wells to have a capacity of 10 kg of light vegetables or 40 kg of heavy vegetables per cycle.

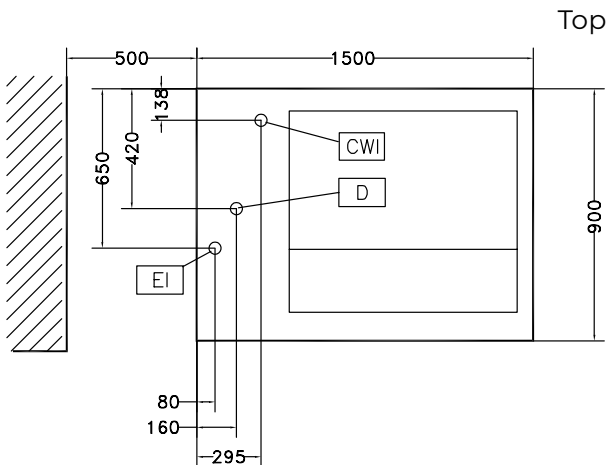
APPROVAL: _____



Vegetable Washer Vegetable Washer with Tank 10/40kg



- CWI** = Cold Water inlet 1 (cleaning)
- D** = Drain
- EI** = Electrical inlet (power)



Electric

Total Watts: 1.1 kW

Key Information:

External dimensions, Width: 1500 mm

External dimensions, Depth: 900 mm

External dimensions, Height: 850 mm

Shipping weight: 196 kg

Usable well capacity: 300 lt

Load per cycle - light vegetables: 10 kg

Load per cycle - heavy vegetables: 40 kg

Vegetable Washer
Vegetable Washer with Tank 10/40kg

The company reserves the right to make modifications to the products without prior notice. All information correct at time of printing.

2025.05.12

